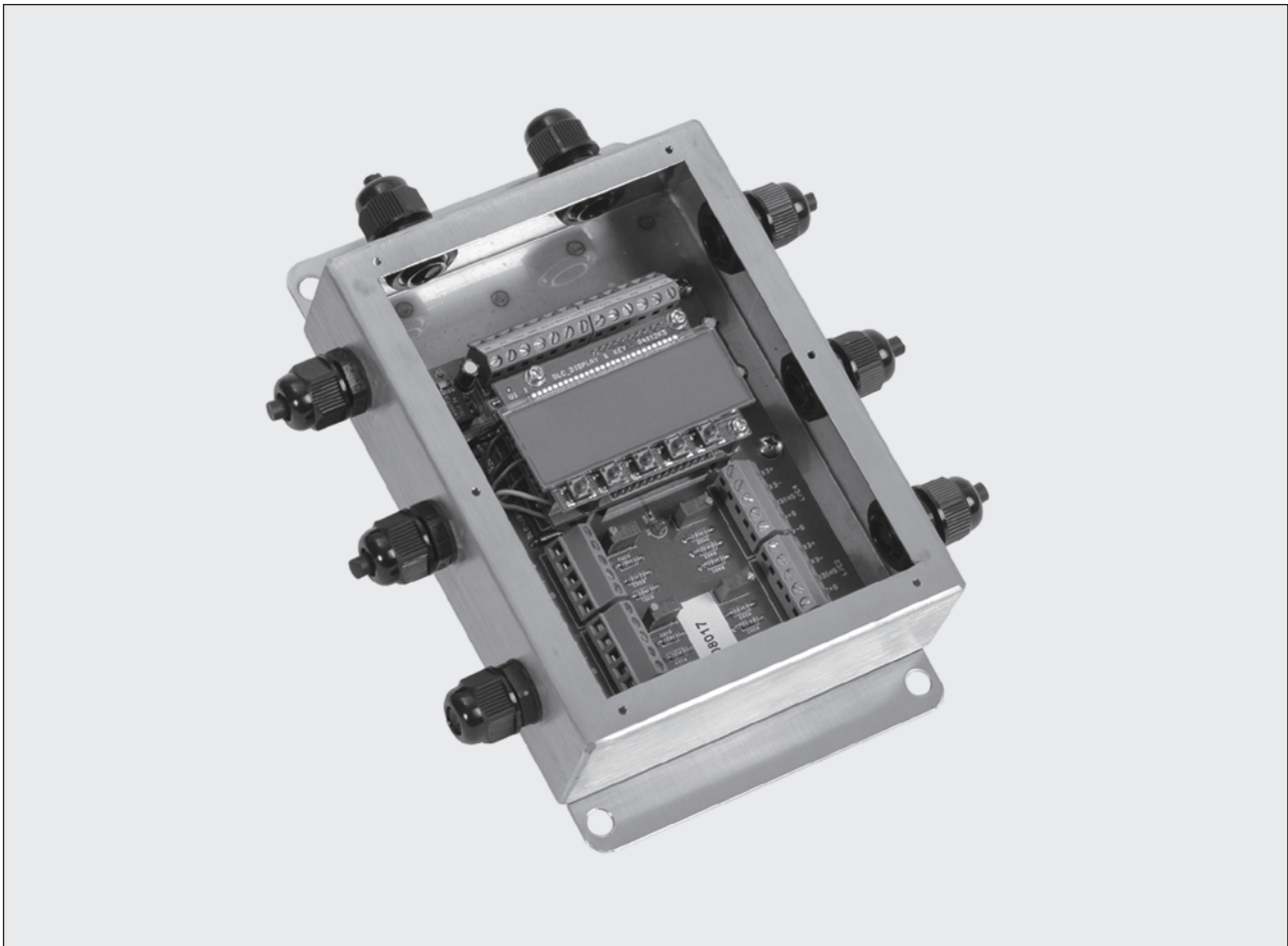


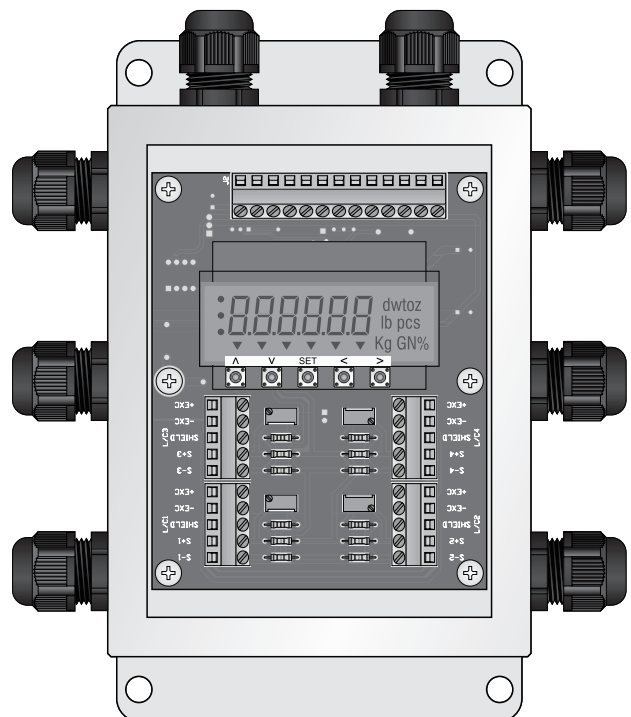
TI-1500VC Transmitter

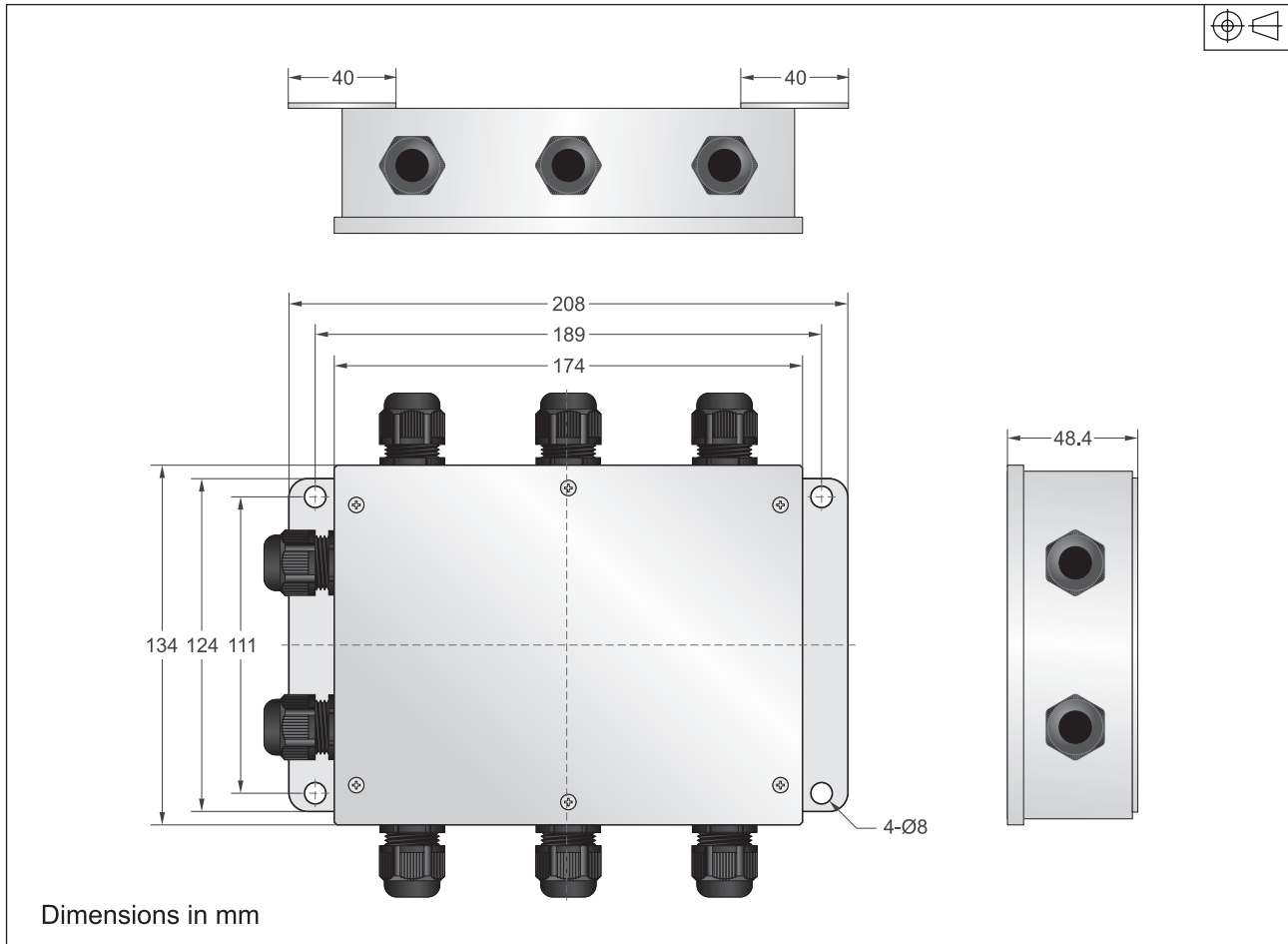


Features 主要特点

- Heavy duty stainless-steel NEMA 4X enclosure
- Semi - duplex RS-485 serial port
- 4-20mA analog output
- 0-10V analog output (option)
- Hold peak
- Circuit inside for adjusting corner's value
- Displays up to 50,000 graduations
- Drives up to four 350Ω load cells
- 高密度不锈钢NEMA 4X 外壳
- 半双工RS-485串行通讯接口
- 4-20mA模拟量输出
- 0-10V模拟量输出 (可选)
- 峰值保持
- 内置角差调整电路
- 高达50000显示分辨率
- 可驱动4个350Ω传感器

Appearance 外观示意



Dimensions 尺寸

Specification 技术参数

Load Cell Excitation: +5 VDC	传感器激励: +5 VDC
Load Cell Current: Drives up to Four 350Ω Load Cells	传感器电流: 可驱动4个350Ω传感器
Analog Signal Input Range: 0.2 mV/V min to 3.0 mV/V max	模拟信号输入范围: 0.2 mV/V--3.0 mV/V
Analog Sensitivity: 0.4 V/grad, Minimum 1.0 V/grad Recommended Minimum for Legal-for-Trade	灵敏度: 0.4uV/grad,最小值 1.0uV/grad,额定推荐最小值
A/D Resolution: Up to 260,000 Internal Counts	A/D 分辨率: 高达260000内部分辨率
Display: 7-segment, 6 Digit LED Display	显示: 6位7段码LCD显示器
Display Resolution: Up to 50,000 External Grads, Selectable	显示分辨率: 50000外部分度, 可选
Serial Port: Semi-Duplex RS-485 Format 4-20mA Analog Output 0-10V Analog Output (Option)	串行口: 半双工RS-485 4-20mA模拟量输出 0-10V模拟量输出
Power: 15VDC±10%, 500mA	电源: 15VDC±10%, 500mA
Operating Temperature: -10°C to 55°C	工作温度: -10°C to 55°C
Overall Dimensions (L xW xH): 208mm x134mm x48.4mm	外形尺寸(长x宽x高): 208mm x134mm x48.4mm