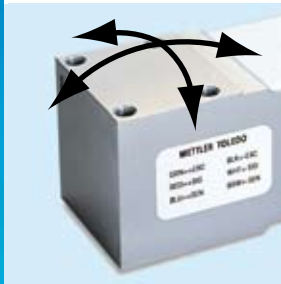


## Steel Single Point Platform Size 1000x1000 mm



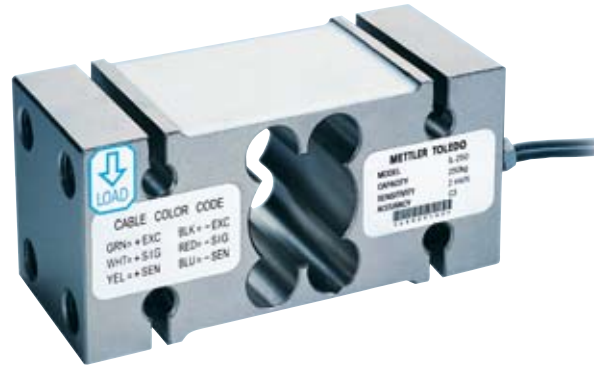
### Tank and Hoppers

IL provides the best weighing performance for smaller tanks and wall mounted hoppers. Due to its mounting schema it can be easily used for general bin weighing as well.



### Off-Center compensation

One load cell can be used to support a weighing platform and, due to the off-center load compensation, the IL will weigh within tolerance regardless of load application point.



### High Robustness

IL allows for 50% static overload without compromising the weighing performance. The nickel plated steel material provides good corrosion resistance suitable for most industrial applications.

### IL Single Point Load Cell

The IL load cell features:

- OIML R60 C3 approved
- Off-center load compensated (R76)
- Up to 1000x1000 mm platform size
- IP67 protection class
- Nickel plated Steel

The IL is the ideal solution for hopper and bin weighing due to high capacities and large possible platform sizes. The mounting schema allows for direct bolting to a wall. The variety of capacities allows for wide application range.

## IL Load Cell Specifications

Parameter	unit of measure	Specification				
		IL				
Model No.						
Rated Capacity (R.C.)	kg (lb, nominal)	150 (331)	250 (441)	500 (1102)	1000 (2204)	2000 (4408)
Rated Output	mV/V @R.C.	2 ± 0.002				
Zero load Output	%R.C.	≤ 1				
Combined Error <sup>1), 2)</sup>	%R.C.	≤ 0.02				
Repeatability Error	%A.L. <sup>3)</sup>	≤ 0.01				
Creep, 30 minute	%A.L.	≤ 0.02				
Min. Dead Load Output Return (DR), 30 min	%A.L.	≤ 0.016				
Temperature Effect on	Min. Dead load Output	%R.C./°C (./°F) ≤ 0.002 (0.001)				
	Sensitivity <sup>2)</sup>	%A.L./°C (./°F) ≤ 0.0009 (0.0005)				
Temperature Range	Compensated	°C (°F) -10 to +40 (+14 to +104)				
	Operating	°C (°F) -20 to +65 (-4 to +150)				
	Safe Storage	°C (°F) -20 ~ +80 (-20 to +176)				
OIML / European Approval <sup>4)</sup>	OIML Cert. No.	R60/2000-NL-02.11				
	European Cert. No.	TC 6042				
	Class	C3				
	nmax	3000				
	Y	5000				
	PLC	0.7				
	Humidity Symbol	none				
Excitation Voltage	Recommended	V AC/DC 5 ~ 15				
	Max.	V AC/DC 20				
Terminal Resistance	Excitation	Ω 387±4				
	Output	v 350±1				
Insulation Resistance @50VDC	MΩ	≥ 5000				
Breakdown Voltage	V AC	> 500				
Material	Spring Element	Nickel plated alloy steel				
	Enclosure	none				
	Cable entry fitting	304				
	Cable	PVC				
Protection	Type	potted				
	IP Rating	IP67				
Load Limit	Safe	%R.C. 150				
	Ultimate	%R.C. 300				
Safe Dynamic Load	%R.C.	70				
Fatigue Life	cycles @R.C.	> 1.000.000				
Direction of Loading		compression				
Weight, nominal	kg (lb)	4.15 (9.2)				5.4 (12)
Cable	Length	m (ft) 5 (16.6)				
	Diameter	mm (in) 5.8 (0.23)				
Barometric Pressure Effect on Zero Load Output	kg/kPa (lb/in.Hg)	none				
Safe Side Load	%R.C.	100				
Overload Protection		no				
Mounting Screw	Grade	12.9				
	Size/thread	mm M14				M16
	Engaged Length	mm (in) 25 <sup>1)</sup>				
	Torque, nominal	N.m (ft-lb) 98 (72)				196 (143)
Max Platter Size	cm x cm (in x in)	80X80 (3.15x3.15)				100X100 (3.93x3.93)
Off Center Load Error @33%R.C.	%A.L./cm (./in)	0.0045 (0.011)				0.0035 (0.0087)

<sup>1)</sup> Error due to the combined effect of non-linearity and hysteresis

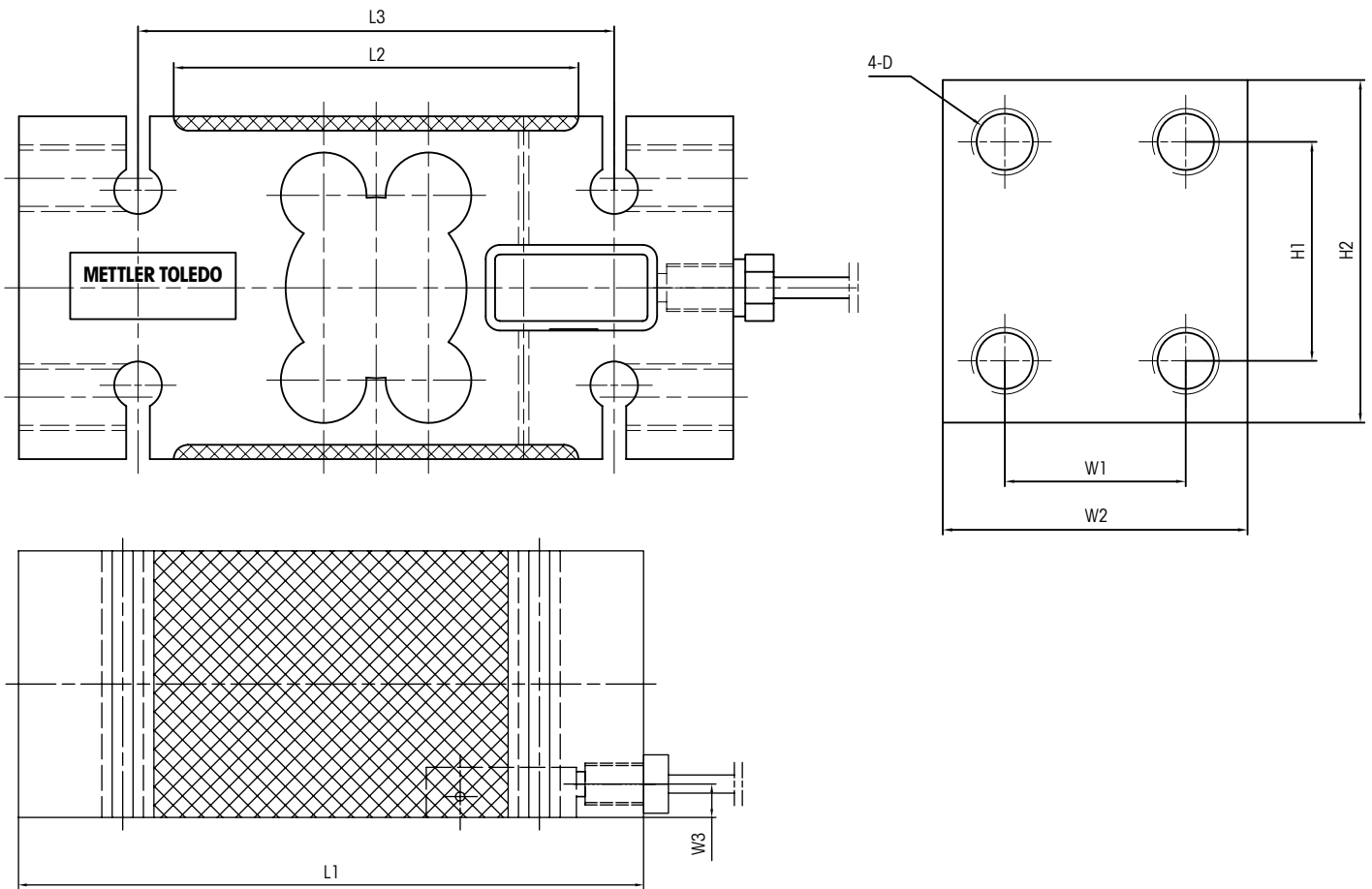
<sup>2)</sup> Typical values only. The sum of errors due to Combined Error and Temperature Effect on Sensitivity comply with the requirements of OIML R60 and NIST HB44.

<sup>3)</sup> A.L. = Applied Load

<sup>4)</sup> See certificate for complete information



# IL Load Cell Dimensional Drawings mm [inch]



Capacity	Dimensions and locations								
	D	H1	H2	L1	L2	L3	W1	W2	W3
150kg–1000kg [330–2204lb]	M14	46 [1.81]	72 [2.83]	150 [5.91]	85 [3.35]	100 [3.94]	38 [1.50]	64 [2.52]	8 [0.31]
2000kg [4409lb]	M16	55 [2.17]	80 [3.15]	150 [5.91]	85 [3.35]	100 [3.94]	42 [1.65]	72 [2.83]	8 [0.31]

## IL Load Cell Order Information

Description	Item No.
Load cell, model no. IL-150KG-5M	71209638
Load cell, model no. IL-250KG-5M	71209639
Load cell, model no. IL-500KG-5m	71209635
Load cell, model no. IL-1000KG-5M	71209640
Load cell, model no. IL-2000KG-5M	71210636

## IL Load Cell Cable Colours

Colour	Function
Green	+ Excitation
Black	- Excitation
White	+ Signal
Red	- Signal
Yellow	+ Sense
Blue	- Sense
Yellow (long)	Shield

## Full Connectivity

METTLER TOLEDO supplies various data communication interfaces that enable our sensors and instruments to communicate with your PLC, MES, or ERP systems.



## OIML Approvals

The IL is provided with C3 approval acc. to OIML R60. Thus best weighing performance is guaranteed at all specified conditions. Benefit from METTLER TOLEDO experience.



## Worldwide Services

Our extensive service network is among the best in the world and ensures maximum availability and service life of your product.

## Weighing Electronics

METTLER TOLEDO offers a complete family of electronics from simple weighing to application solutions for filling, stock control, batching, formulation, counting, and checkweighing.



Quality certificate ISO 9001  
Environment certificate ISO 14001

Subject to technical changes.  
© 07/2007 Mettler-Toledo AG  
Printed in Switzerland MTSI 44099190  
MarCom Industrial

[www.mt.com](http://www.mt.com)

Visit for more information